

PRODUCT INFORMATION PACKET

marathon[®]
Motors

Model No: 048A11O11064
Catalog No: X073
1/2,1140,OPAO,48Y,1/60/208-230
Direct Drive



Regal and Marathon are trademarks of Regal Beloit Corporation or one of its affiliated companies.
©2018 Regal Beloit Corporation, All Rights Reserved. MC017097E

REGAL[®]

Nameplate Specifications

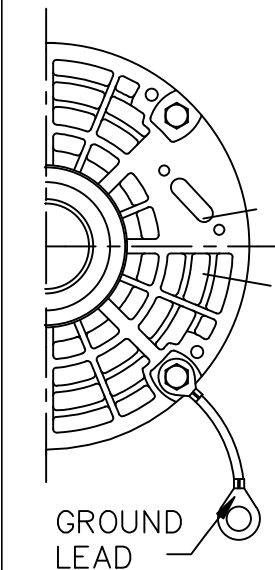
Output HP	.5 Hp	Output KW	0.37 kW
Frequency	60 Hz	Voltage	208-230 V
Current	6.74-6.1 A	Speed	1075 rpm
Service Factor	1	Phase	1
Efficiency	63.5 %	Duty	CONTINUOUS
Insulation Class	B	Design Code	NO DESIGN CODE
KVA Code	A	Frame	48Z
Enclosure	OPAO	Overload Protector	AUT LCK RTR ONLY
Ambient Temperature	60 °C	Drive End Bearing Size	6203
Opp Drive End Bearing Size	6203	UL	Recognized
CSA	Y	CE	N
IP Code	10		

Technical Specifications

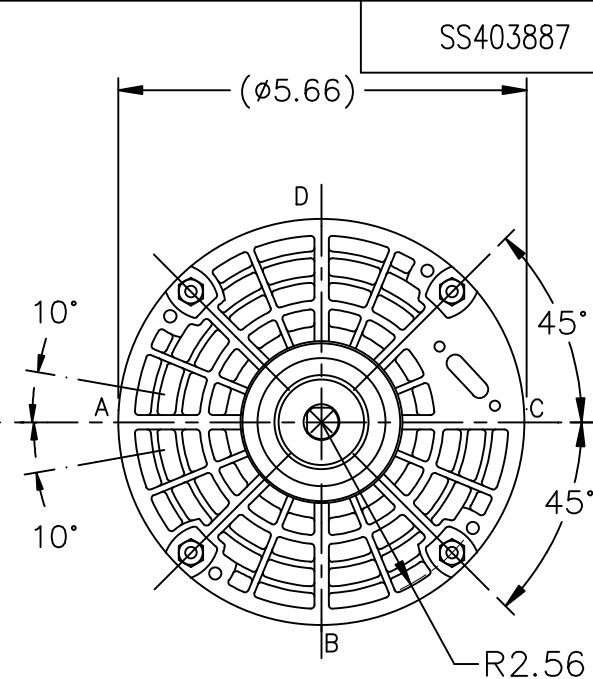
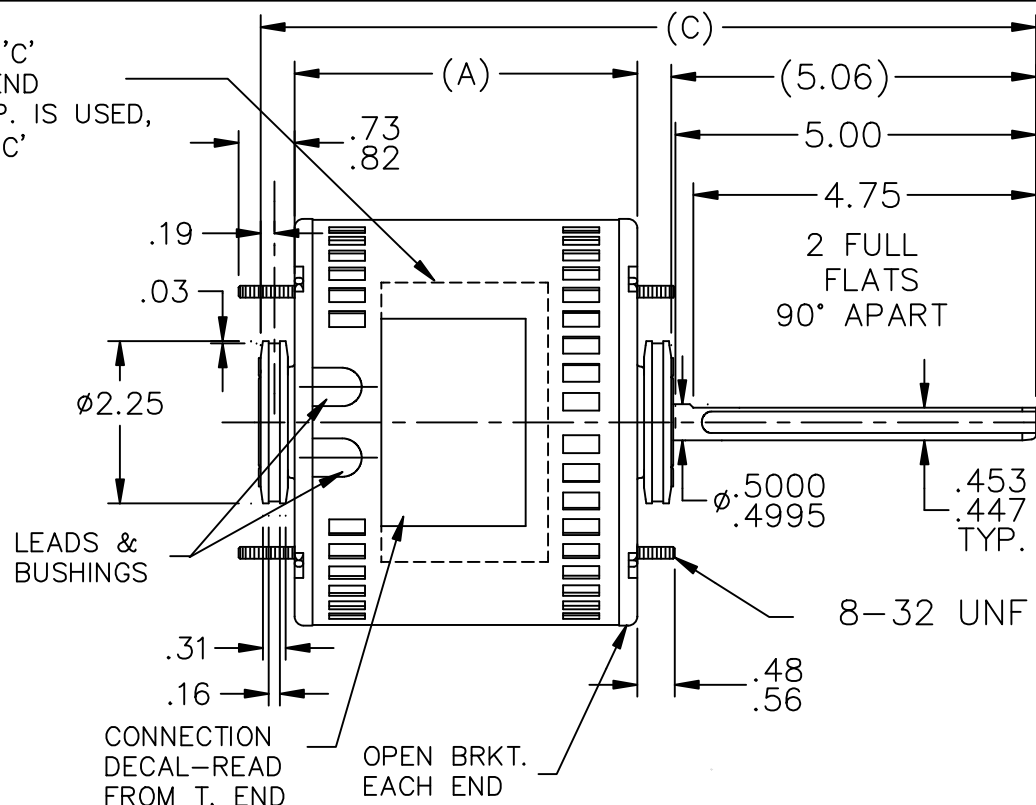
Electrical Type	PSC 4 SPEED	Starting Method	ACROSS THE LINE
Poles	6	Rotation	SELECTIVE CCW
Mounting	RESILIENT RING-EXTENDED STUDS	Motor Orientation	HORIZONTAL
Drive End Bearing	BALL	Opp Drive End Bearing	BALL
Frame Material	ROLLED STEEL	Shaft Type	SGL SPL EXT
Overall Length	4.75 in	Frame Length	4.25 in
Shaft Diameter	.5 in	Shaft Extension	4.75 in
Assembly/Box Mounting	F1 ONLY		
Outline Drawing	A-SS403887-425	Connection Diagram	SEE OUTL.

This is an uncontrolled document once printed or downloaded and is subject to change without notice. Date Created: 10/08/2018

NAMEPLATE LOC. @ 'C'
 READ FROM TERM. END
 WHEN TWO PART N.P. IS USED,
 CENTER PIECES AT 'C'



TERM. END



LEAD DESCRIPTION:

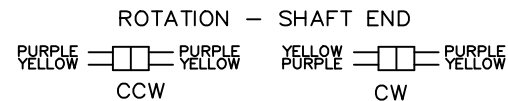
DASH	FR.	C	A
425	48Y	10.75	4.75
450	48Y	11.00	5.00

1 WHITE, 1 BLACK, 1 BLUE, 1 RED, & 1 ORANGE LEAD WITH .25 FLAG-TYPE QUICK CONNECTS 36.00" LONG.
 1 BROWN & WHITE AND 1 BROWN LEAD WITH .25 FLAG-TYPE QUICK CONNECTS 36.00" LONG.

REVERSING LEADS ARE MOLDED INTO MATING PULL-APART PLUGS. 1 YELLOW & 1 PURPLE LEAD PER PLUG. 6.00" LONG.

GREEN GROUND LEAD WITH TERM. FOR #10 SCREW 12.00" LONG.

WHITE ————— L1
 BLACK — HIGH
 BLUE — MED HIGH
 ORANGE — MED LOW
 RED — LOW



INSULATE UNUSED SPEED TAP LEADS SEPARATELY. BROWN/WHITE —|—|— BROWN CAP.

NO.	REVISION	BY & DATE	TOLERANCES UNLESS SPECIFIED		FINISH
			DEC.	INCHES	
			.X	±.1	
			.XX	±.03	
			.XXX	±.005	
			.XXXX	±.0005	
			CHK	ANG	±7'30"



TITLE OUTLINE

MAT'L.

FINISH

DRAWN	NB 12/29/09
CHK	NB 12/29/09
APPD	NB 12/29/09
SCALE	3=8
REF	SS403373
FMF	048A11011066
PREV	

THIS DRAWING IN DESIGN AND DETAIL IS OUR PROPERTY AND MUST NOT BE USED EXCEPT IN CONNECTION WITH OUR WORK ALL RIGHTS OF DESIGN AND INVENTION ARE RESERVED THIS IS AN ELECTRONICALLY GENERATED DOCUMENT — DO NOT SCALE THIS PRINT

RFP CAD FILE ss403373
 DIST WP

SIZE DRAWING NO. PAGE OF REV.
 A SS403887